

HEAD OF WALL AT STAIR SHAFT

MTL TO MTL CONNECTION STANDARD





Project: _____ Architect: _____

Spec. Ref.: Section [09110] [09111] [05400] Date: _____

Sheet Title:

MTL to MTL Connection Standard
Head of Wall at Stair Shaft.

Product: SLP-TRK®

Manufacturer: SlipTrack Systems

Description:

SLP-TRK Standard Detail
SLP-TRK® Brand Slotted Top Track.

Deflection - 1 inch

References:

- UL-2079 Cyclical Design
- ICC ESR-1042
- OSHPD R-0371-Fixed Equip. Anchorage
- LA City - No. RR25344
- NY City - MEA 285-01-M
- UL-R19236

Assembly Components:

Head-of-wall Track:

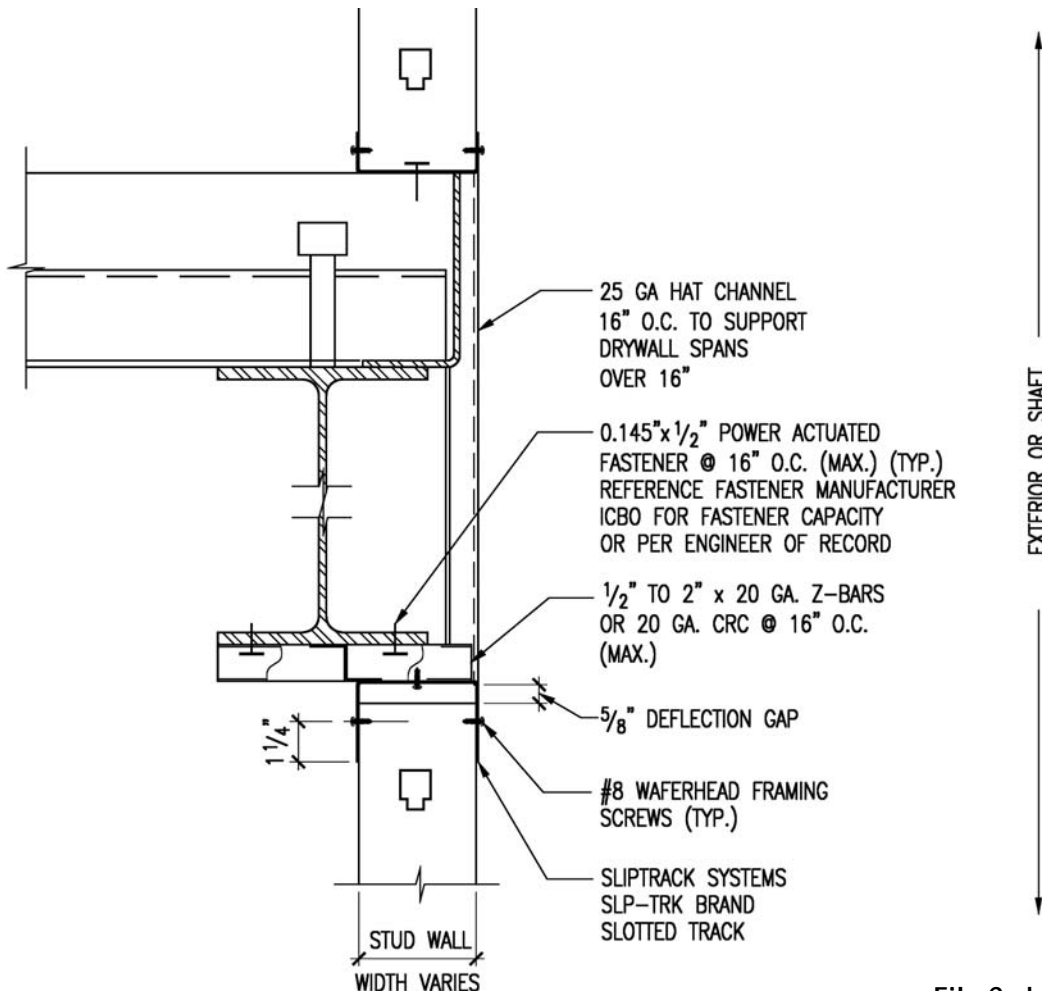
- Manufacturer: SlipTrack Systems
- Model: SLP-TRK®
- Material: minimum 25 ga steel, slotted
- Width: to match steel stud

Notes:

- All connections to the structure shall be approved by the project engineer of record.



Track Only



8

File Code - Date: 3/15/11



Building a Better Way.

1-888-4SLPTRK [1-888-475-7875]

www.sliptrack.com