

## HEAD OF WALL HORIZONTAL SLOTTED TRACK (OPTIONAL)

MTL TO MTL CONNECTION STANDARD

OPTIONAL – PER ENGINEER OF RECORD  
HORIZONTAL SLOTTED SLIDING CONNECTION – CBC 2001 Vol. 2





Project: \_\_\_\_\_ Architect: \_\_\_\_\_

Spec. Ref.: Section [09110] [09111] [05400] Date: \_\_\_\_\_

**Sheet Title:**

MTL to MTL Connection Standard  
Head of Wall Horizontal Slotted Track -  
Optional

**Product:** SLP-TRK®

**Manufacturer:** SlipTrack Systems

**Description:**

SLP-TRK Standard Detail  
SLP-TRK® Brand Slotted Top Track.

**Deflection - 1 inch**

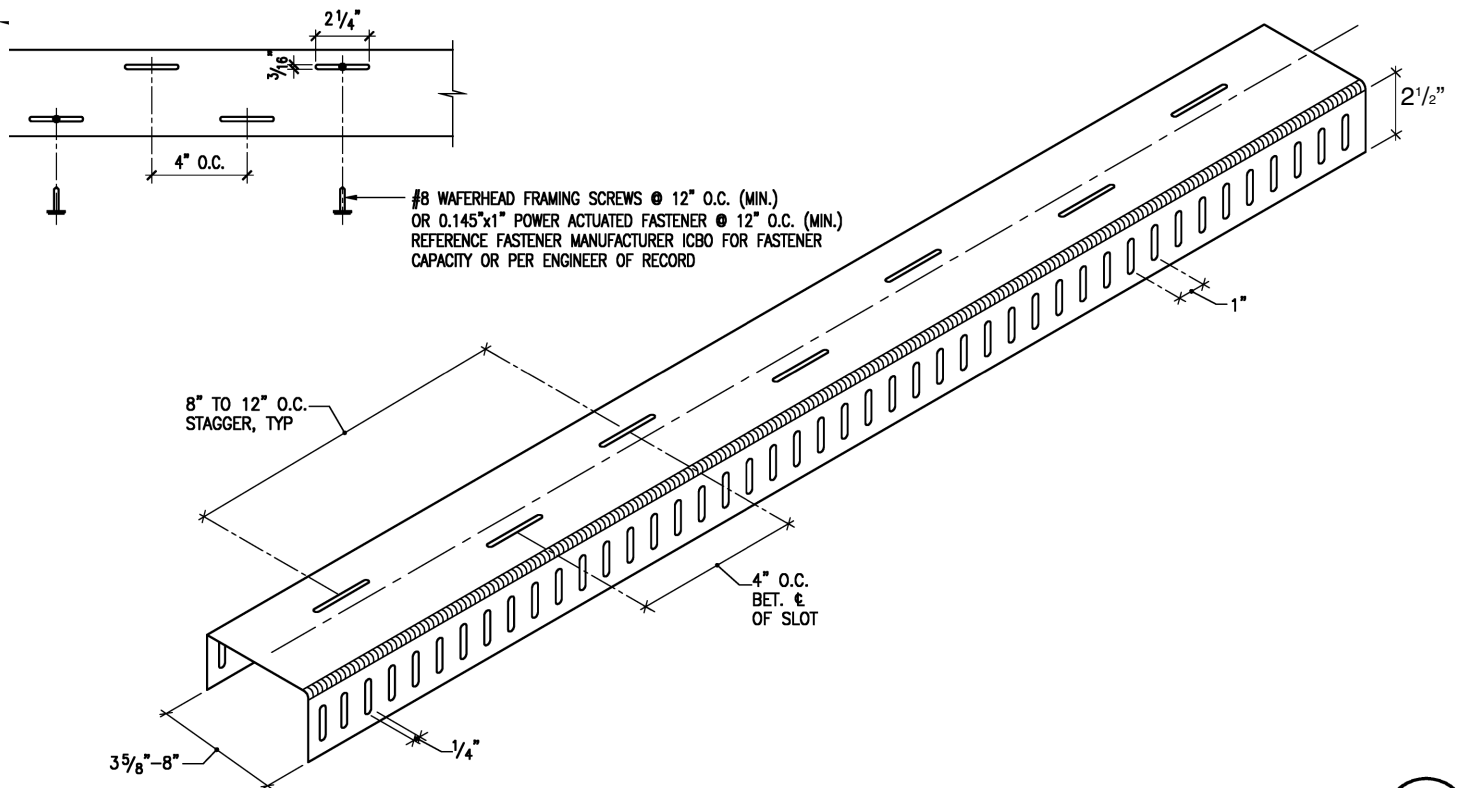
**Assembly Components:**

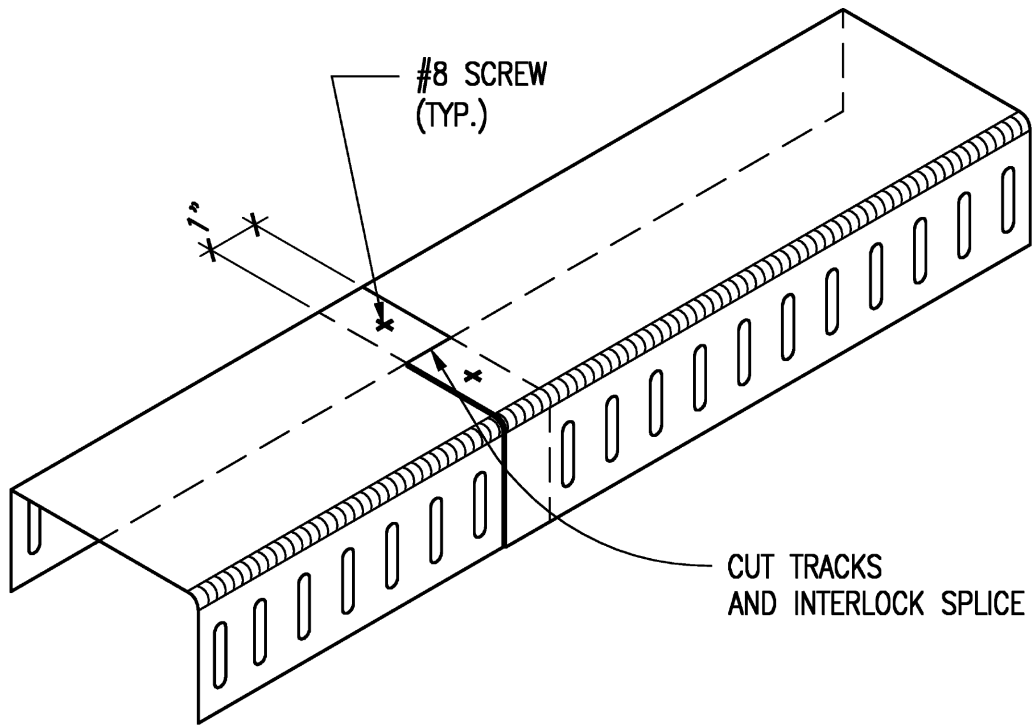
**Head-of-wall Track:**

- Manufacturer: SlipTrack Systems
- Model: SLP-TRK®
- Material: minimum 25 ga steel, slotted
- Width: to match steel stud
- US Patent No. 5,127,760

**Notes:**

- All connections to the structure shall be approved by the project engineer of record.





INTERLOCK SPLICE DETAIL

MTL TO MTL CONNECTION STANDARD





Project: \_\_\_\_\_ Architect: \_\_\_\_\_

Spec. Ref.: Section [09110] [09111] [05400] Date: \_\_\_\_\_

**Sheet Title:**

MTL to MTL Connection Standard Interlock Splice Detail.

**Product:** SLP-TRK®

**Manufacturer:** SlipTrack Systems

**Description:**

SLP-TRK Standard Detail  
SLP-TRK® Brand Slotted Top Track.

**Deflection - 1 inch**

**References:**

- UL-2079 Cyclical Design
- ICBO ER-5344
- OSHPD R-0371-Fixed Equip. Anchorage
- LA City - No. RR25344
- NY City - MEA 285-01-M
- UL-R19236

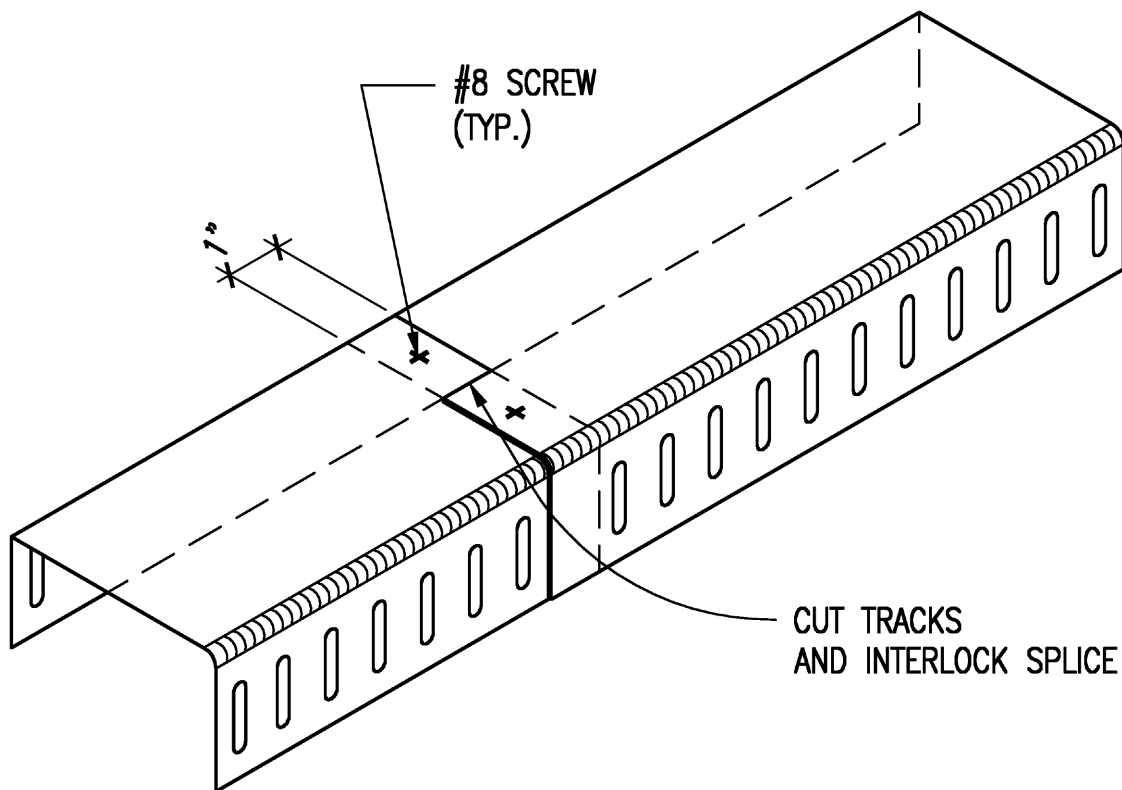
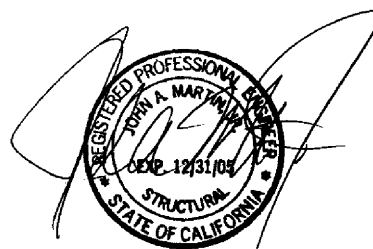
**Assembly Components:**

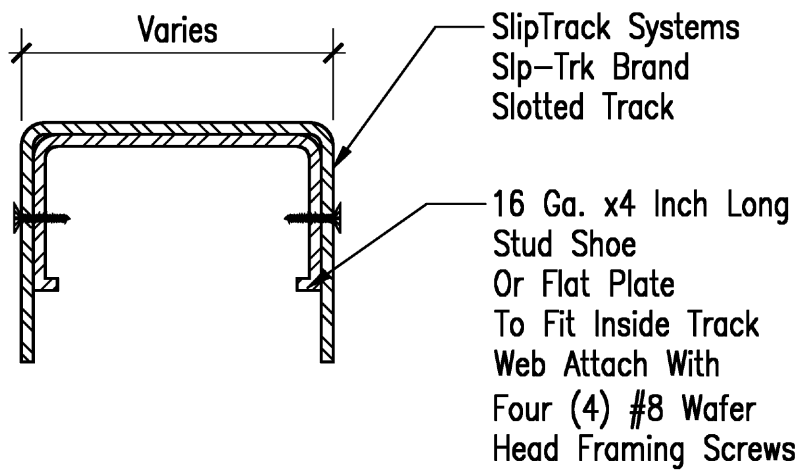
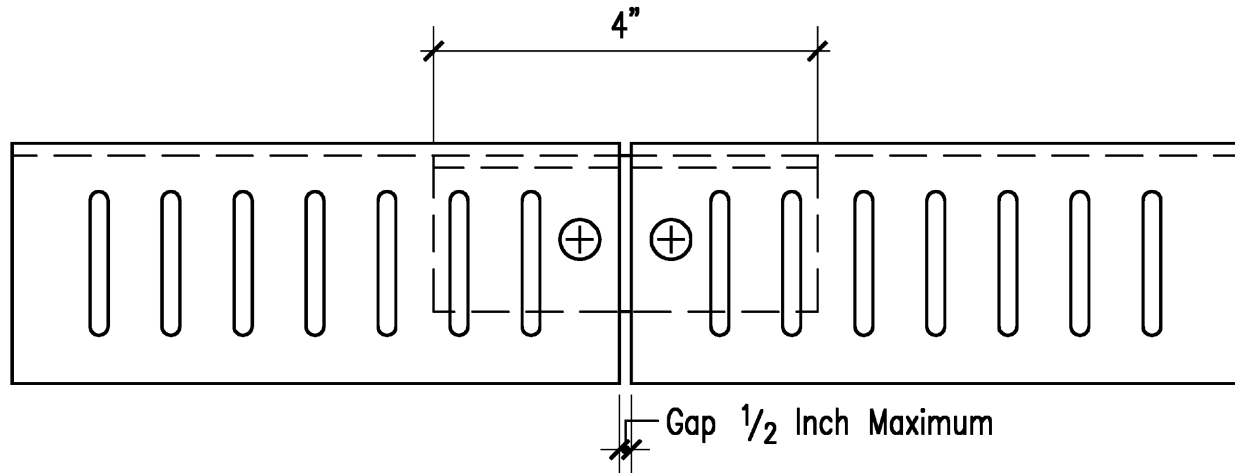
**Head-of-wall Track:**

- Manufacturer: SlipTrack Systems
- Model: SLP-TRK®
- Material: minimum 25 ga steel, slotted
- Width: to match steel stud
- US Patent No. 5,127,760

**Notes:**

- All connections to the structure shall be approved by the project engineer of record.





Splice Detail (Optional)  
MTL TO MTL CONNECTION STANDARD

14A





Project: \_\_\_\_\_ Architect: \_\_\_\_\_

Spec. Ref.: Section [09110] [09111] [05400] Date: \_\_\_\_\_

**Sheet Title:**

MTL to MTL Connection Standard  
Splice Detail - Optional

**Product:** SLP-TRK®

**Manufacturer:** SlipTrack Systems

**Description:**

SLP-TRK Standard Detail  
SLP-TRK® Brand Slotted Top Track.

**Deflection - 1 inch**

**References:**

- UL-2079 Cyclical Design
- ICBO ER-5344
- OSHPD R-0371-Fixed Equip. Anchorage
- LA City - No. RR25344
- NY City - MEA 285-01-M
- UL-R19236

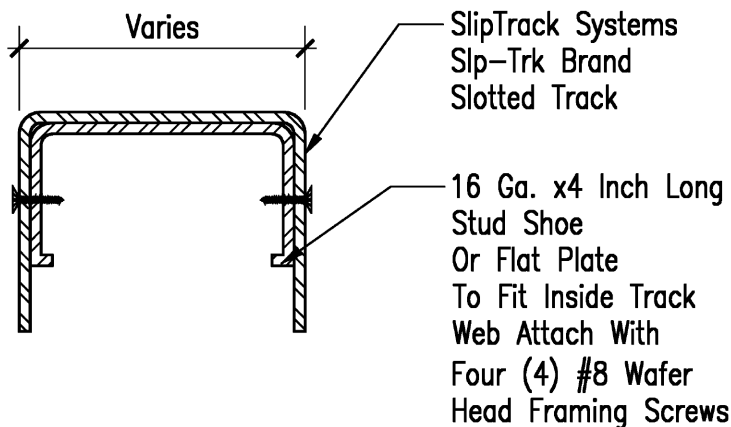
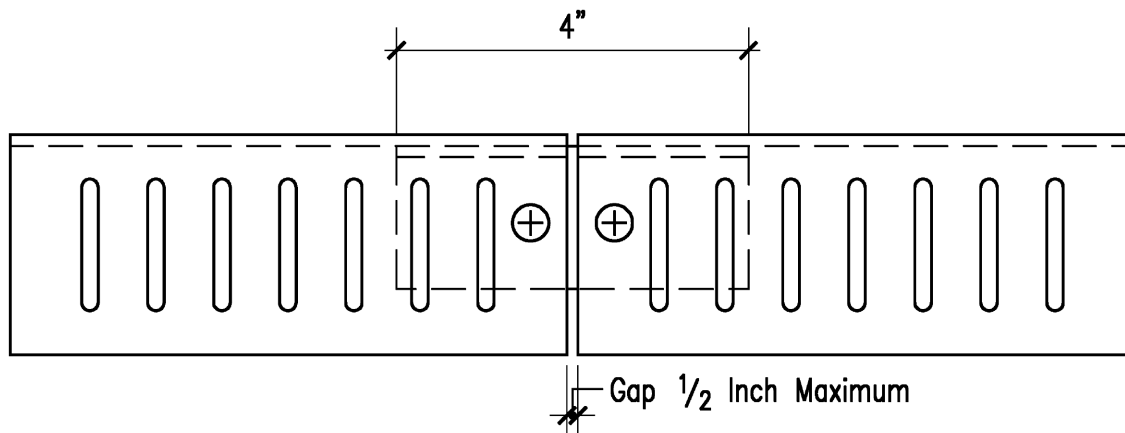
**Assembly Components:**

**Head-of-wall Track:**

- Manufacturer: SlipTrack Systems
- Model: SLP-TRK®
- Material: minimum 25 ga steel, slotted
- Width: to match steel stud
- US Patent No. 5,127,760

**Notes:**

- All connections to the structure shall be approved by the project engineer of record.



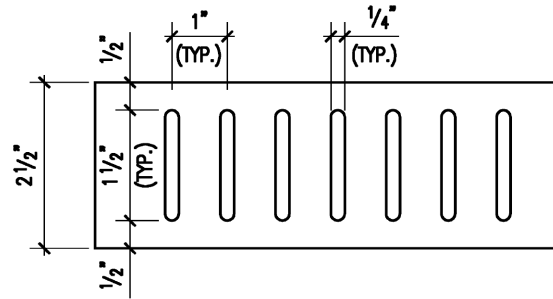
14A



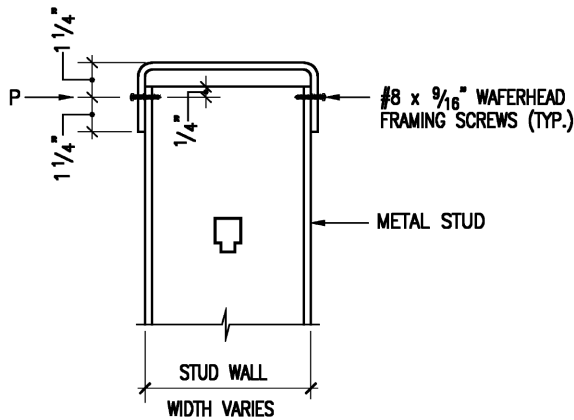
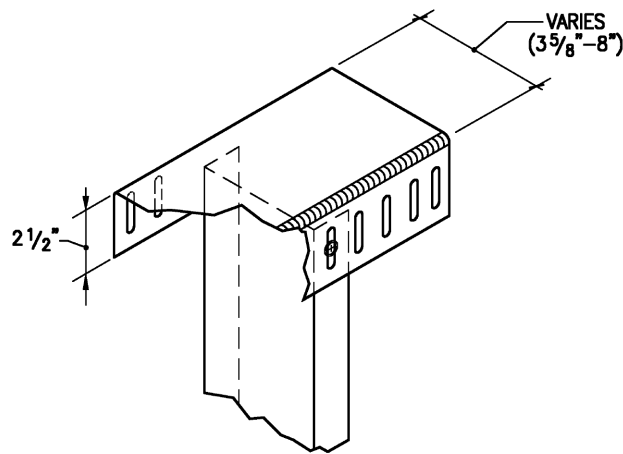
Trade-Friendly Products.

File Code - Date: 10/15/04

1-888-4SLPTRK [1-888-475-7875]  
www.sliptrack.com



SIDE VIEW



HEAD OF WALL ISOMETRIC AND SECTION DETAIL (STANDARDS)  
MTL TO MTL CONNECTION STANDARD

Figure 1— SLP-TRK Slotted Top Track – Stud to Track Connection





Project: \_\_\_\_\_ Architect: \_\_\_\_\_

Spec. Ref.: Section [09110] [09111] [05400] Date: \_\_\_\_\_

**Sheet Title:**

MTL to MTL Connection Standard  
Head of Wall Isometric and Section  
Detail - Standards.

**Product:** SLP-TRK®

**Manufacturer:** SlipTrack Systems

**Description:**

SLP-TRK Standard Detail  
SLP-TRK® Brand Slotted Top Track.

**Deflection - 1 inch**

**References:**

- UL-2079 Cyclical Design
- ICBO ER-5344
- OSHPD R-0371-Fixed Equip. Anchorage
- LA City - No. RR25344
- NY City - MEA 285-01-M
- UL-R19236

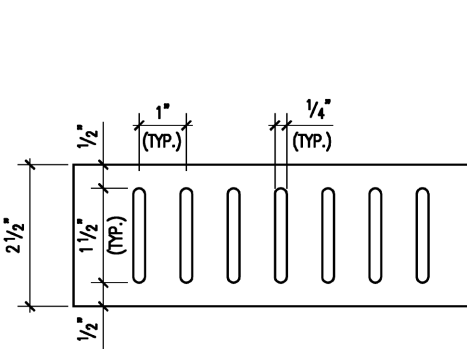
**Assembly Components:**

**Head-of-wall Track:**

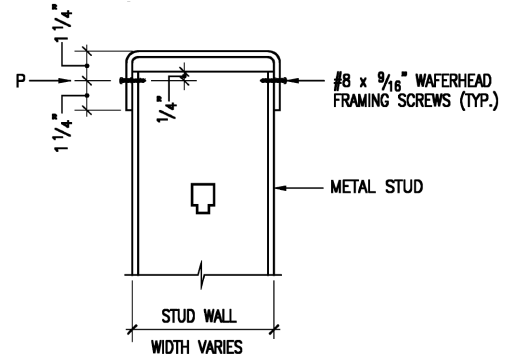
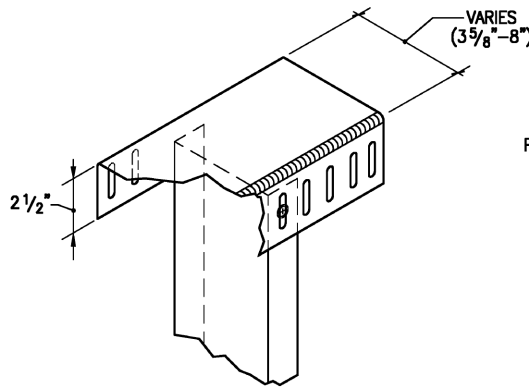
- Manufacturer: SlipTrack Systems
- Model: SLP-TRK®
- Material: minimum 25 ga steel, slotted
- Width: to match steel stud
- US Patent No. 5,127,760

**Notes:**

- All connections to the structure shall be approved by the project engineer of record.



SIDE VIEW



**HEAD OF WALL ISOMETRIC AND SECTION DETAIL (STANDARDS)**  
MTL TO MTL CONNECTION STANDARD

Figure 1— SLP-TRK Slotted Top Track – Stud to Track Connection



Trade-Friendly Products.

File Code - Date: 10/15/04

1-888-4SLPTRK [1-888-475-7875]

www.sliptrack.com