

- NOTES:**
1. FOR APPLICABLE NOTES SEE STANDARD DETAILS 1 THROUGH 3
 2. SEE DETAIL 12 FOR OFFSET SIM.

SHAFT WALL UNDER STEEL BEAM Z-BAR TO ACCOMMODATE BEAM FIRE PROOFING

SYSTEM 3 FIRE RATED DESIGN UL-2079 TEST STD.





Project: _____ Architect: _____

Spec. Ref.: Section [09110] [09111] [05400] Date: _____

Sheet Title:

System 3 Fire Rated Design
Shaft Wall Under Steel Beam
Z-Bar to Accommodate Beam
Fire Proofing..

Product: SLP-TRK®

Manufacturer: SlipTrack Systems

Description:

SLP-TRK Standard Detail
SLP-TRK® Brand Slotted Top Track.

Deflection - 1 inch

References:

- UL-2079 Cyclical Design
- ICC ESR-1042
- OSHPD R-0371-Fixed Equip. Anchorage
- LA City - No. RR25344
- WHI-495-PSV-1333
- UL-R19236

Assembly Components:

Head-of-wall Track:

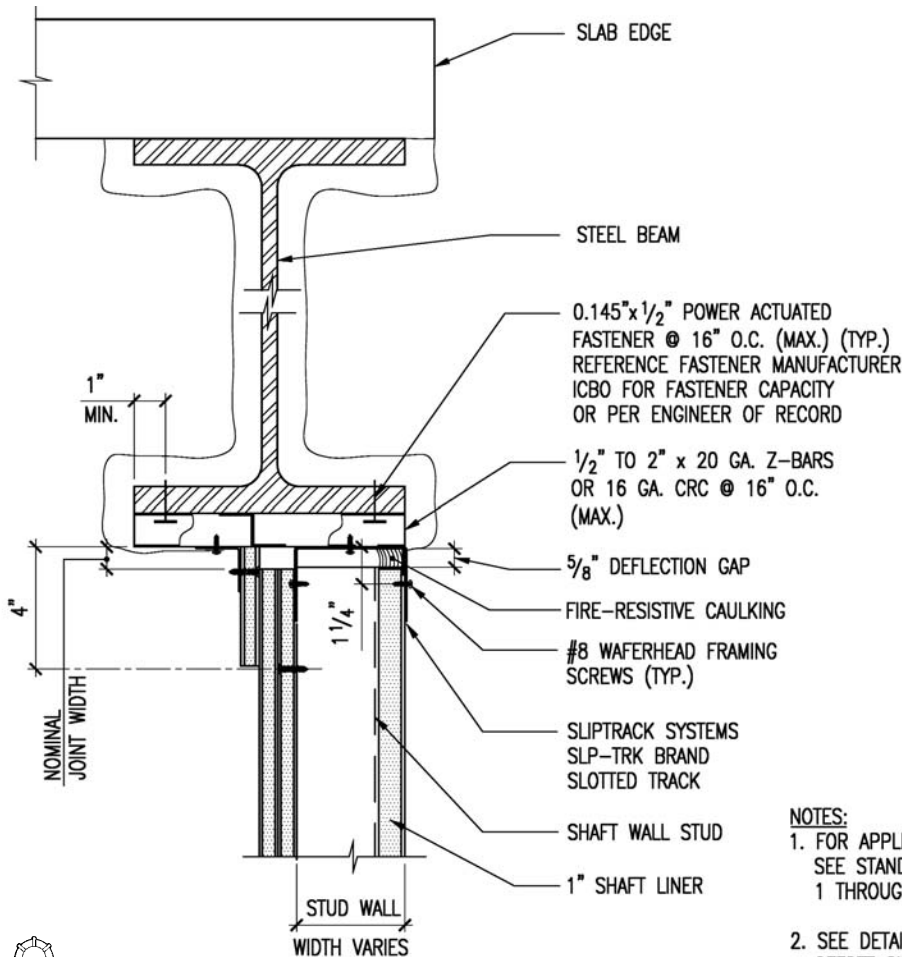
- Manufacturer: SlipTrack Systems
- Model: SLP-TRK®
- Material: minimum 25 ga steel, slotted
- Width: to match steel stud

Notes:

- All connections to the structure shall be approved by the project engineer of record.
- Alternate Fire-Rated Design Detail - Seek "Project Team of Record" Approval prior to Installation. This detail has been provided to assist the project team with issues of constructability. UL-2079 Tested Assembly, Design Intent see perpendicular detail for standard assembly.



Light Gauge Framing
for Use in Joint Systems
See UL Fire Resistive Directory



EXTERIOR OR SHAFT

- NOTES:**
1. FOR APPLICABLE NOTES SEE STANDARD DETAILS 1 THROUGH 3
 2. SEE DETAIL 12 FOR OFFSET SIM.

13

