

- NOTES:**
1. Cyclical Design - UL 2079 Test Standard
 2. Do Not screw drywall to slotted track.
 3. Sliptrack Systems, System 6 WHI-495-PSV-1338.
 4. Reference ITS / Warnock Hersey directory for specific information.

SYSTEM 6 STANDARD DETAIL HEAD OF WALL PERPENDICULAR TO FLUTE DETAIL

SYSTEM 6 FIRE RATED DESIGN UL-2079 TEST STD.

1





Project: _____ Architect: _____

Spec. Ref.: Section [09110] [09111] [05400] Date: _____

Sheet Title:

System 6 Fire Rated Design
Standard Detail Head of Wall
Perpendicular to Flute Detail.

Product: SLP-TRK®

Manufacturer: SlipTrack Systems

Description:

SLP-TRK Standard Detail
SLP-TRK® Brand Slotted Top Track.

Deflection - 1 inch

References:

- UL-2079 Cyclical Design
- OSHPD R-0371-Fixed Equip. Anchorage
- LA City - No. RR25344
- WHI-495-PSV-1338
- UL-R19236

Assembly Components:

Head-of-wall Track:

- Manufacturer: SlipTrack Systems
- Model: SLP-TRK®
- Material: minimum 25 ga steel, slotted
- Width: to match steel stud

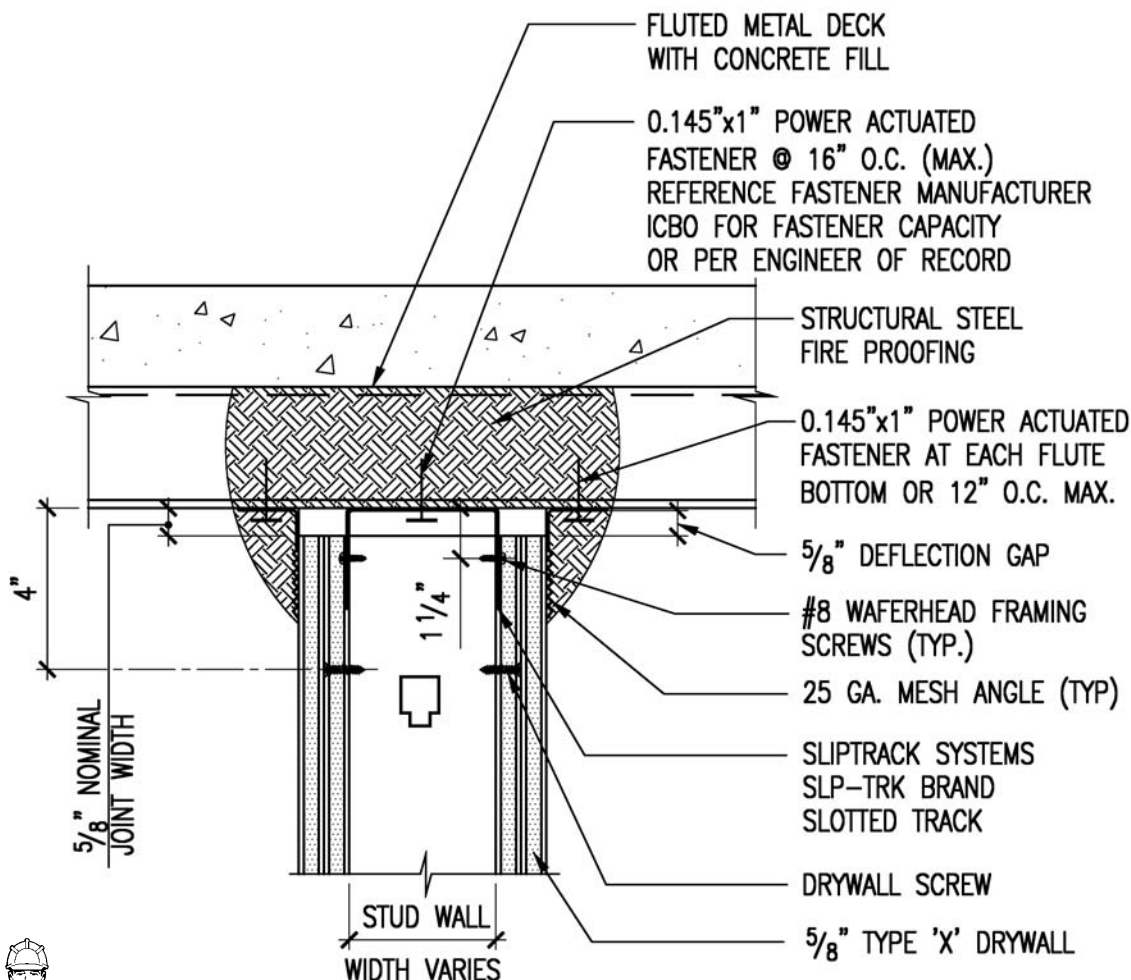
Notes:

- All connections to the structure shall be approved by the project engineer of record.



Track Only

Light Gauge Framing
for Use in Joint Systems
See UL Fire Resistive Directory



1

File Code - Date: 3/15/11



Building a Better Way.

1-888-4SLPTRK [1-888-475-7875]

www.sliptrack.com