

NOTE:
 FOR APPLICABLE NOTES
 SEE STANDARD DETAILS
 1 THROUGH 3

HEAD OF WALL UNDER STEEL BEAM Z-BAR TO ACCOMMODATE BEAM FIRE PROOFING

SYSTEM 6 FIRE RATED DESIGN UL-2079 TEST STD.





Project: _____ Architect: _____

Spec. Ref.: Section [09110] [09111] [05400] Date: _____

Sheet Title:

System 6 Fire Rated Design
Head of Wall Under Steel Beam
Z-Bar to Accommodate Beam
Fire Proofing.

Product: SLP-TRK®

Manufacturer: SlipTrack Systems

Description:

SLP-TRK Standard Detail
SLP-TRK® Brand Slotted Top Track.

Deflection - 1 inch

References:

- UL-2079 Cyclical Design
- OSHPD R-0371-Fixed Equip. Anchorage
- LA City - No. RR25344
- WHI-495-PSV-1338
- UL-R19236

Assembly Components:

Head-of-wall Track:

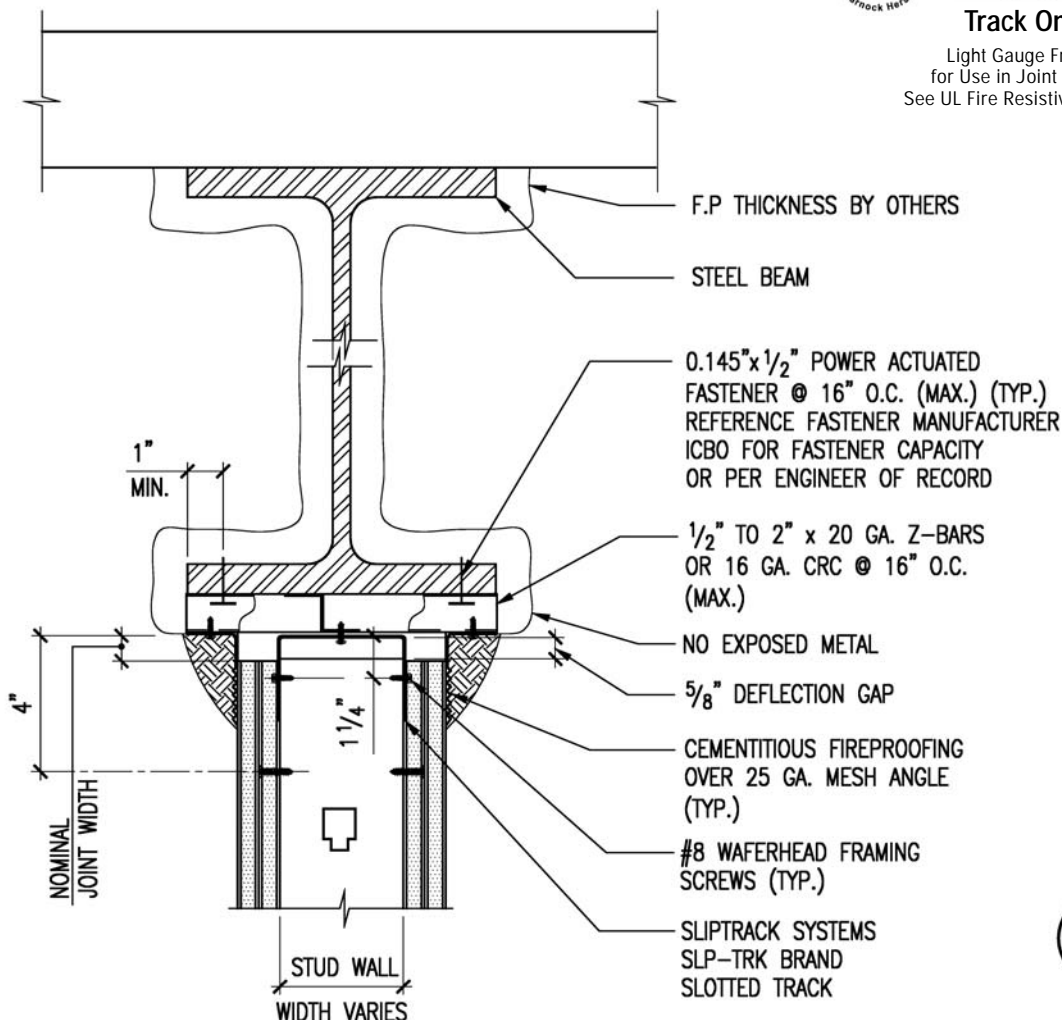
- Manufacturer: SlipTrack Systems
- Model: SLP-TRK®
- Material: minimum 25 ga steel, slotted
- Width: to match steel stud

Notes:

- All connections to the structure shall be approved by the project engineer of record.
- Alternate Fire-Rated Design Detail - Seek "Project Team of Record" Approval prior to Installation. This detail has been provided to assist the project team with issues of constructability. UL-2079 Tested Assembly, Design Intent see perpendicular detail for standard assembly.



Track Only
Light Gauge Framing
for Use in Joint Systems
See UL Fire Resistive Directory



11

File Code - Date: 3/15/11



Building a Better Way.

1-888-4SLPTRK [1-888-475-7875]

www.sliptrack.com