

## HEAD OF WALL AT SLAB EDGE — OPTIONAL

SYSTEM 6 FIRE RATED DESIGN UL-2079 TEST STD.

7





Project: \_\_\_\_\_ Architect: \_\_\_\_\_

Spec. Ref.: Section [09110] [09111] [05400] Date: \_\_\_\_\_

**Sheet Title:**

System 6 Fire Rated Design  
Head of Wall at Slab Edge - Optional.

**Product:** SLP-TRK®

**Manufacturer:** SlipTrack Systems

**Description:**

SLP-TRK Standard Detail  
SLP-TRK® Brand Slotted Top Track.

**Deflection - 1 inch**



**Track Only**

Light Gauge Framing  
for Use in Joint Systems  
See UL Fire Resistive Directory

**References:**

- UL-2079 Cyclical Design
- OSHPD R-0371-Fixed Equip. Anchorage
- LA City - No. RR25344
- WHI-495-PSV-1338
- UL-R19236

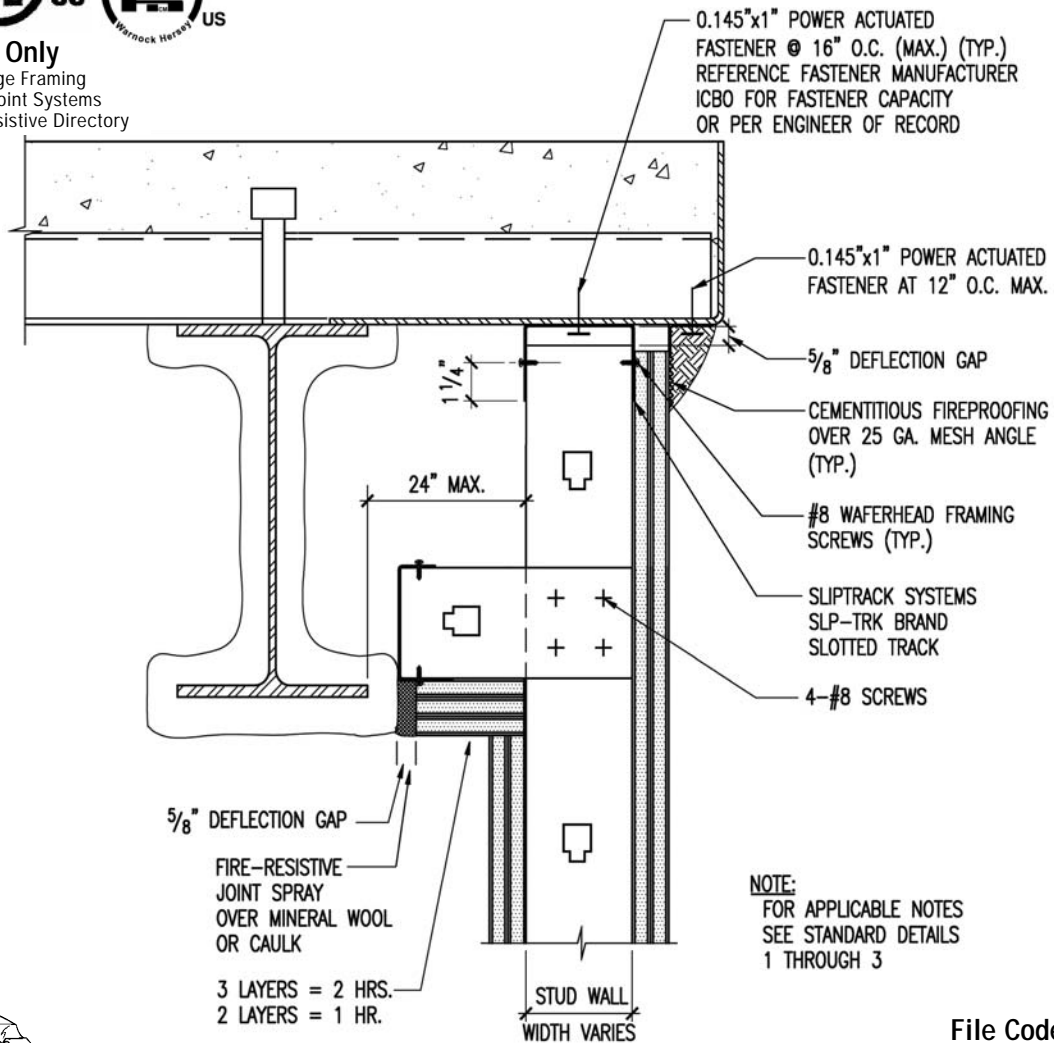
**Assembly Components:**

**Head-of-wall Track:**

- Manufacturer: SlipTrack Systems
- Model: SLP-TRK®
- Material: minimum 25 ga steel, slotted
- Width: to match steel stud

**Notes:**

- All connections to the structure shall be approved by the project engineer of record.
- Alternate Fire-Rated Design Detail - Seek "Project Team of Record" Approval prior to Installation. This detail has been provided to assist the project team with issues of constructability. UL-2079 Tested Assembly, Design Intent see perpendicular detail for standard assembly.



Building a Better Way.

**NOTE:**  
FOR APPLICABLE NOTES  
SEE STANDARD DETAILS  
1 THROUGH 3

7

File Code - Date: 3/15/11

1-888-4SLPTRK [1-888-475-7875]

www.sliptrack.com