

NOTE:
 FOR APPLICABLE NOTES
 SEE STANDARD DETAILS
 1 THROUGH 3

HEAD OF WALL Z-BAR OFFSET TO ACCOMMODATE DECK FIRE PROOFING

SYSTEM 7-19 FIRE RATED DESIGN UL-2079 TEST STD.

4





Project: _____ Architect: _____

Spec. Ref.: Section [09110] [09111] [05400] Date: _____

Sheet Title:

System 7-19 Fire Rated Design
Head of Wall Z-Bar to Accommodate
Deck Fire Proofing.

Product: SLP-TRK®

Manufacturer: SlipTrack Systems

Description:

SLP-TRK Standard Detail
SLP-TRK® Brand Slotted Top Track.

Deflection - 1 inch

References:

- UL-2079 Cyclical Design
- ICC ESR-1042
- OSHPD R-0371-Fixed Equip. Anchorage
- LA City - No. RR25344
- NY City - MEA 285-01-M
- UL-R19236

Assembly Components:

Head-of-wall Track:

- Manufacturer: SlipTrack Systems
- Model: SLP-TRK®
- Material: minimum 25 ga steel, slotted
- Width: to match steel stud

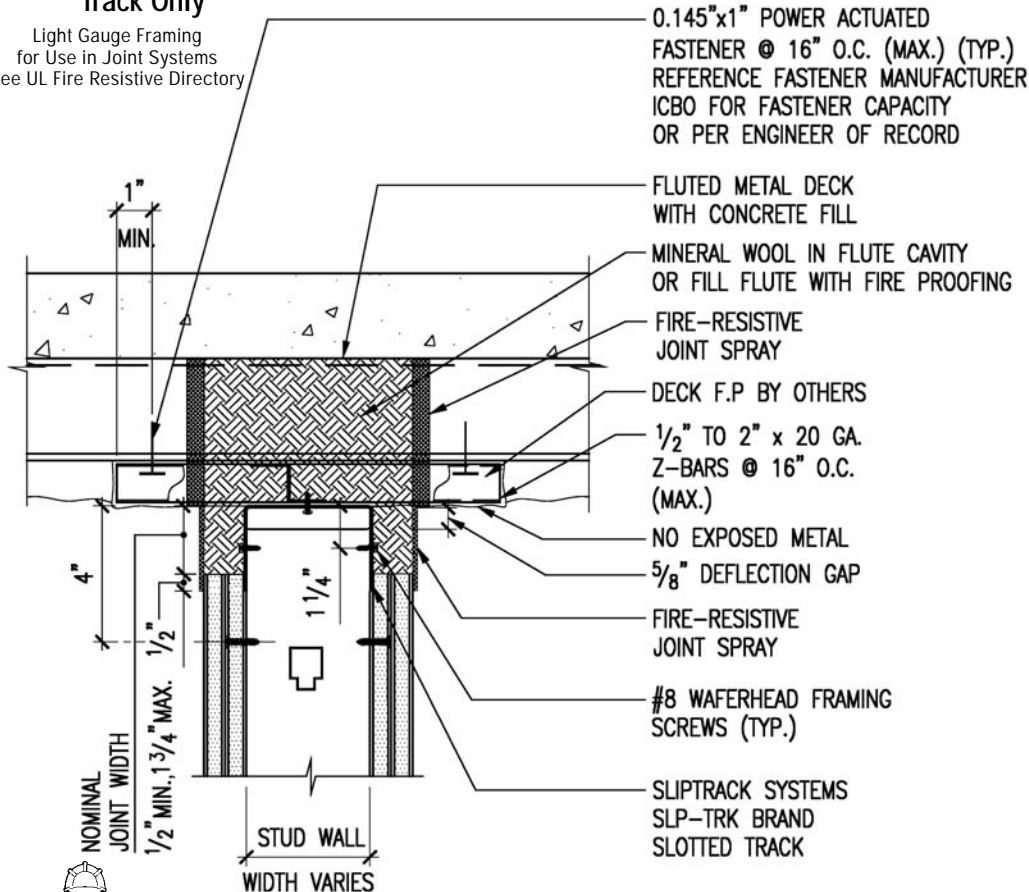
Notes:

- All connections to the structure shall be approved by the project engineer of record.
- All UL Head of Wall Designs vary in nominal joint width. Reference UL directory for specification information based on your selected UL system.
- Alternate Fire-Rated Design Detail - Seek "Project Team of Record" Approval prior to Installation. This detail has been provided to assist the project team with issues of constructability. UL-2079 Tested Assembly, Design Intent see perpendicular detail for standard assembly.
- Reference UL Listings (HW-D-0043 sim.) for UL-2079 Design of Choice.



Track Only

Light Gauge Framing
for Use in Joint Systems
See UL Fire Resistive Directory



4



Building a Better Way.

File Code - Date: 3/15/11

1-888-4SLPTRK [1-888-475-7875]

www.sliptrack.com